

Notes:

- Make sure the total FLA of all motors does not exceed the load carrying capacity of this motor control.
- Maximum surrounding air temperature 40°C.
- The Main Disconnect Shall be Provided by Installer.
- USE COPPER CONDUCTORS RATED 75°C OR HIGHER ONLY, 18-12AWG.
- This device has not been evaluated for reliability to the Standard for Tests for Safety-Related Controls Employing Solid-State Devices, UL 991 and therefore not considered suitable for entrapment protection.

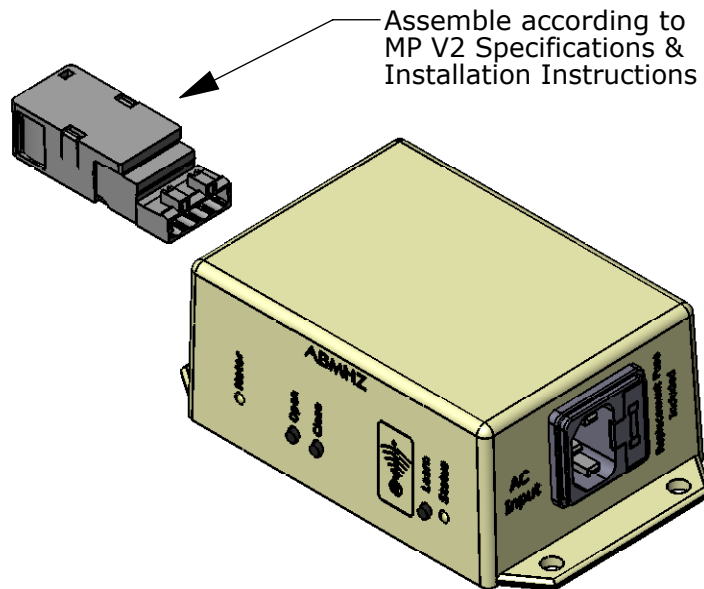
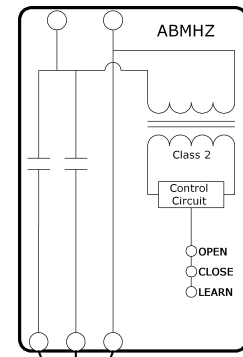
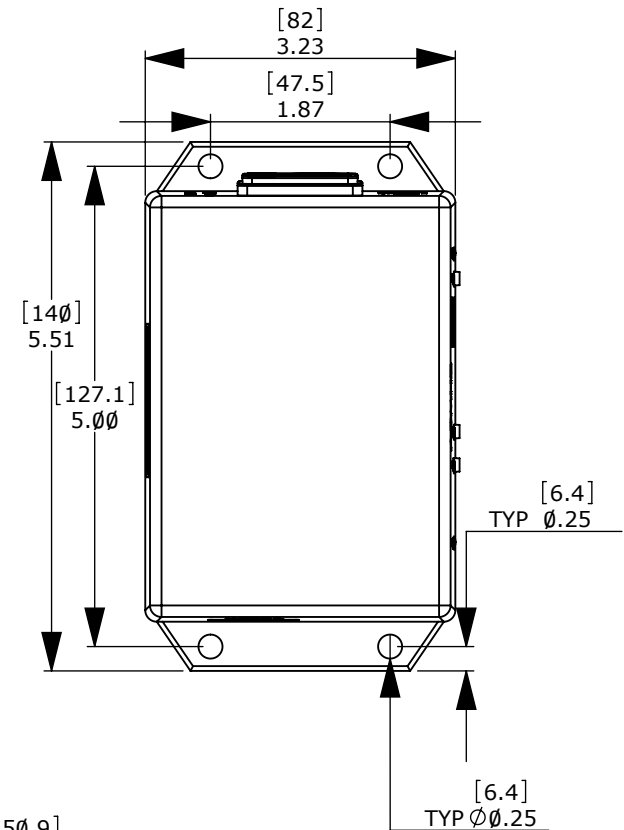
ELECTRICAL SPECIFICATION:

INPUT: LINE VOLTAGE - 115VAC 60Hz ±10%
 INPUT REQUIRES IEC CONNECTOR C13 LINE SOCKET (standard PC power cable)
 OUTPUT: 115VAC 8FLA 1/3 HP

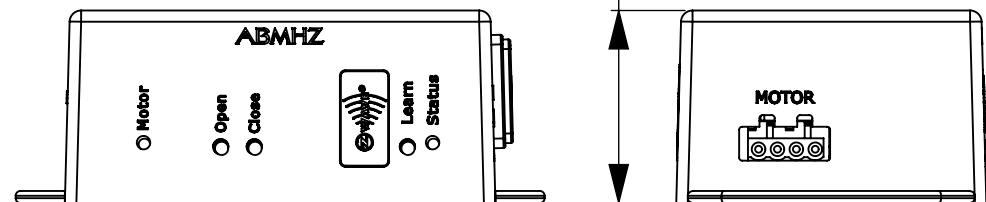
COMPLIANCE INFORMATION:
 Z-Wave certification number is ZC07060003.

FCC ID is P7RABMHZ01.

IC Compliance number is 7206A-ABMHZ01.



Assemble according to MP V2 Specifications & Installation Instructions



UNIT OF MEASURE: [mm] in TOLERANCES: FRACTIONAL ±1/16 ANGULAR BEND ±1/2° X.XX ±.01 X.XXX ±.005	DRAWN	NAME	DATE	1355 Horizon Avenue Lafayette, CO 80026 www.elec-solutions.com Office: +1.303.469.9322 Fax: +1.303.469.5129
	CHECKED	DKE	30Oct07	
	ENG APPR.	GFS	30Oct07	
	PROPRIETARY AND CONFIDENTIAL THE INFORMATION CONTAINED IN THIS DRAWING IS THE SOLE PROPERTY OF ELECTRONIC SOLUTIONS, INC. (ESI). ANY REPRODUCTION IN PART OR AS A WHOLE WITHOUT THE WRITTEN PERMISSION OF ESI IS PROHIBITED. ESI RESERVES THE RIGHT TO MAKE CHANGES AT ANY TIME IN ORDER TO IMPROVE DESIGN AND TO SUPPLY THE BEST PRODUCT POSSIBLE.			
MATERIAL	N/A	DESCRIPTION: ABMHZ Specifications and Installation Instructions		SIZE PART NO: A ABMHZ
FINISH	N/A	REV. A		
DO NOT SCALE DRAWING	SCALE: 1:2		WEIGHT: 9.74oz (276.2g)	